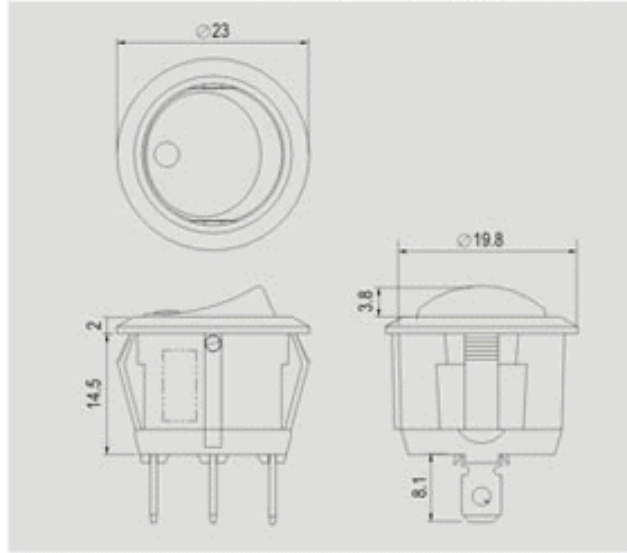


R13-112



Rating
16A 125V AC 10A 250V AC
Contact resistance
50mΩ Max
Insulation resistance
DC 500V 100MΩ Min
Dielectric strength
AC 1500V 1 minute
Cut-out



0.7~3.0 mm max
Cut-out for X8 ROCKER



0.7~2.5 mm max

FEATURES

- * MATERIAL: Frames are nylon (UL flame: 94V-2). Terminals are silver plated brass.
- * Illuminated actuators are molded in PC, available with red, amber and green colors.
- * Snap-in mounting, easy to install switch into panel.
- * Waterproof cover is optional, except LP & BP type.
- * The dimension of frame is 14.5mm, for shorter one, please refer to page.1-51 item no. R13-208.
- * R13-112B9,R13-112B9F: LED with PCB inside for AC rating.



Ordering number instruction

R13-112 -

FUNCTION

TERMINAL

Different button (按鈕不同)

0 2 .187" SQ

A 2P SPST	A 2 2P SPST	A 5 2P SPST (Gloss Finish)	A P 2P SPST
---------------------------------	-----------------------------------	--	-----------------------------------

Illuminated / Different button (帶燈/按鈕不同)

B 3P SPST (NEON) <small>125VAC 33KΩ / 250VAC 150KΩ</small>	B 2 3P SPST (NEON) <small>125VAC 33KΩ / 250VAC 150KΩ</small>	B 9 3P SPST (W/O Lens) (LED) <small>LED Rating @ 10MA V_f=1.85</small>	B 10 3P SPST (LED) <small>LED Rating @ 10MA V_f=1.85</small>	B P 3P SPST (NEON) <small>125VAC 33KΩ / 250VAC 150KΩ</small>
---	---	---	---	---

Momentary / Illuminated / Different button (彈回/帶燈/按鈕不同)

B F 3P SPST (NEON) <small>125VAC 33KΩ / 250VAC 150KΩ</small>	B 2 F 3P SPST (NEON) <small>125VAC 33KΩ / 250VAC 150KΩ</small>	B 9 F 3P SPST (W/O Lens) (LED) <small>LED Rating @ 10MA V_f=1.85V</small>
---	---	--

Different position / Different button (動作特性不同/按鈕不同)

C 3P SPDT	C P 3P SPDT	D 3P SPDT	D P 3P SPDT
---------------------------------	-----------------------------------	-------------------------------------	---------------------------------------

Momentary (彈回)

E 2P SPST	F 2P SPST	G 3P SPDT	H 3P SPDT	I 3P SPDT
---------------------------------	---------------------------------	---------------------------------	-------------------------------------	-------------------------------------

Independent circui / Different buttont (獨立迴路/按鈕不同)

L 4P SPST (LED) <small>LED Rating @ 10MA V_f=1.85V</small>	L P 4P SPST (LED) <small>LED Rating @ 10MA V_f=1.85V</small>	L F 4P SPST (LED) <small>LED Rating @ 10MA V_f=1.85V</small>
---	---	---

Waterproof (防水)

A 8 2P SPST	B 8 3P SPST (NEON) <small>125VAC 33KΩ / 250VAC 150KΩ</small>	B 8 F 3P SPST (NEON) <small>125VAC 33KΩ / 250VAC 150KΩ</small>	C 8 3P SPDT	D 8 3P SPDT	F 8 2P SPST
-----------------------------------	---	---	-----------------------------------	---------------------------------------	-----------------------------------